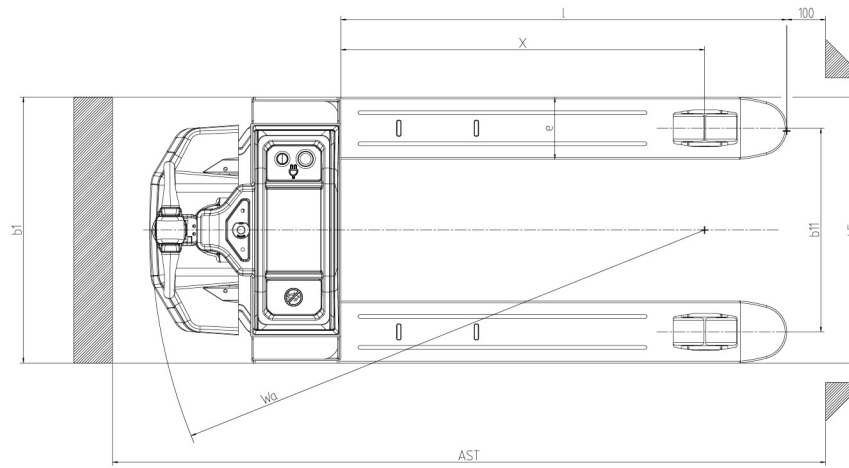
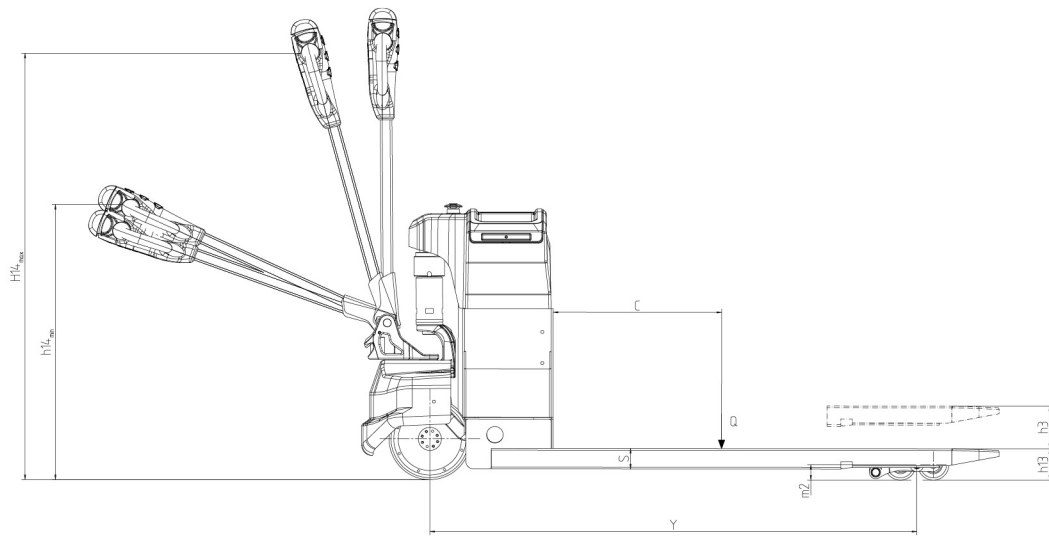


Baoli

KBP 14-20



1.1	Manufacturer		KION BAOLI	KION BAOLI
1.2	Manufacturer's type designation		KBP 14	KBP 20
1.3	Drive: electric, diesel, petrol, fuel gas		Li-ion	Li-ion
1.4	Operator type: hand, pedestrian, standing, seated, order-picker		Pedestrian	Pedestrian
1.5	Rated capacity / Rated load	Q (t)	1.4	2,0
1.6	Load centre distance	c (mm)	600	600
1.8	Load distance, centre of drive axle to fork	x (mm)	935	935
1.9	Wheelbase	y (mm)	1255/1215	1255/1215
2.1	Service weight	Kg	170	175
2.2	Axle loading, laden front/rear	Kg	455/1115	615/1560
2.3	Axle loading, unladen front/rear	Kg	130/40	135/40
3.1	Tyres: solid rubber, superelastic, pneumatic, polyurethane		PU	PU
3.2	Tyre size, front		Ø 210x73	Ø 210x73
3.3	Tyre size, rear		Ø 80x70	Ø 80x70
3.4	Additional wheels (dimensions)		Ø80X30	Ø80X30
3.5	Wheels, number front/rear (x = driven wheels)		1x+2/4	1X+4
3.6	Tread, front	b10 (mm)	/	/
3.7	Tread, rear	b11 (mm)	400/525	400/525
4.4	Lift	h3 (mm)	115	115
4.9	Height drawbar in driving position min/max	h14 (mm)	750/1240	750/1240
4.15	Height, lowered	h13 (mm)	85	85
4.19	Overall length	l1 (mm)	1658	1658
4.20	Length to face of forks	l2 (mm)	508	508
4.21	Overall width	b1/b2 (mm)	560/685	560/685
4.22	Fork dimensions ISO 2331	s/e/l (mm)	55/160/1150	55/160/1150
4.25	Distance between fork-arms	b5 (mm)	560/685	560/685
4.32	Ground clearance, centre of wheelbase	m2 (mm)	35	35
4.34.1	Aisle width for pallets 1000 x 1200 crossways	Ast (mm)	2239	2239
4.34.2	Aisle width for pallets 800 x 1200 lengthways	Ast (mm)	2115	2115
4.35	Turning radius	Wa (mm)	1436	1436
5.1	Travel speed, laden/unladen	km/h	4,5/5	4,3/5
5.2	Lift speed, laden/unladen	m/s	0,03/0,035	0,021/0,027
5.3	Lowering speed, laden/unladen	m/s	0,046/0,033	0,039/0,024
5.8	Max gradeability, laden/unladen	%	8/16	6/16
5.10	Service brake		Electric	Electric
6.1	Drive motor rating S2 60 min	kW	1	1
6.2	Lift motor rating at S3 15%	kW	0.8	0.8
6.3	Battery according to DIN 43531/35/36 A, B, C, no		No	No
6.4	Battery voltage/nominal capacity K5	V/Ah	48 V / 20 Ah Li-ion	48 V / 30 Ah Li-ion
6.5	Battery weight	kg	14	17
6.6	Energy consumption according to VDI cycle	kWh/h	0.13	0.17
8.1	Type of drive unit		-	-
10.7	Sound pressure level at driver's seat	dB (A)	66	66



KBP 14 - 20



The KBP 14-20 is a pallet truck with a load capacity ranging from 1.400 to 2.000 kg, designed for short-distance transport in various indoor environments such as retail stores, supermarkets, and DIY shops. Its compact chassis and creep speed function make it ideal for confined spaces, ensuring precise handling of goods. Weighing 175 kg, it's suitable for use on tail and freight lifts. The 5-point chassis provides stability, especially during the transport of taller loads. Its low chassis (700 mm) ensures clear visibility of the fork tips and load, improving both safety and speed in pallet handling. Equipped with a 48-Volt lithium-ion battery, the truck allows for easy opportunity charging at any 230-Volt socket. The on-board

charger offers fast charging, reaching full capacity in just 2 hours when fully discharged. The available batteries (48 V / 20 Ah and 48 V / 30 Ah) ensure a high energy reserve (0,96 – 1,44 kWh); this energy, combined with low energy consumption, provides impressive autonomy. The KBP 14-20 features ergonomic controls for ease of use, a long tiller arm for better maneuverability, and a keypad for secure access. The KBP 14-20 operates at a maximum speed of 5.0 km/h, with gradeability reaching 16%. Designed and manufactured by KION Group, this pallet truck represents superior quality compared to other models on the market.

Technology and features

- ✓ Compact dimensions and creep speed switch for operation in confined spaces
- ✓ 5-point chassis for enhanced truck stability
- ✓ Low-height chassis for safer and faster goods handling
- ✓ Lithium-ion battery and on-board charger guarantee higher truck availability thanks to easy opportunity charging
- ✓ 48-Volt batteries ensure a high stored energy for extended autonomy
- ✓ Long tiller arm reduces the force needed for steering, keeping the driver at a safe distance
- ✓ Easy-to-use tiller handler
- ✓ Pin code access prevents unauthorized use and eliminates the risk of lost or misplaced keys

